

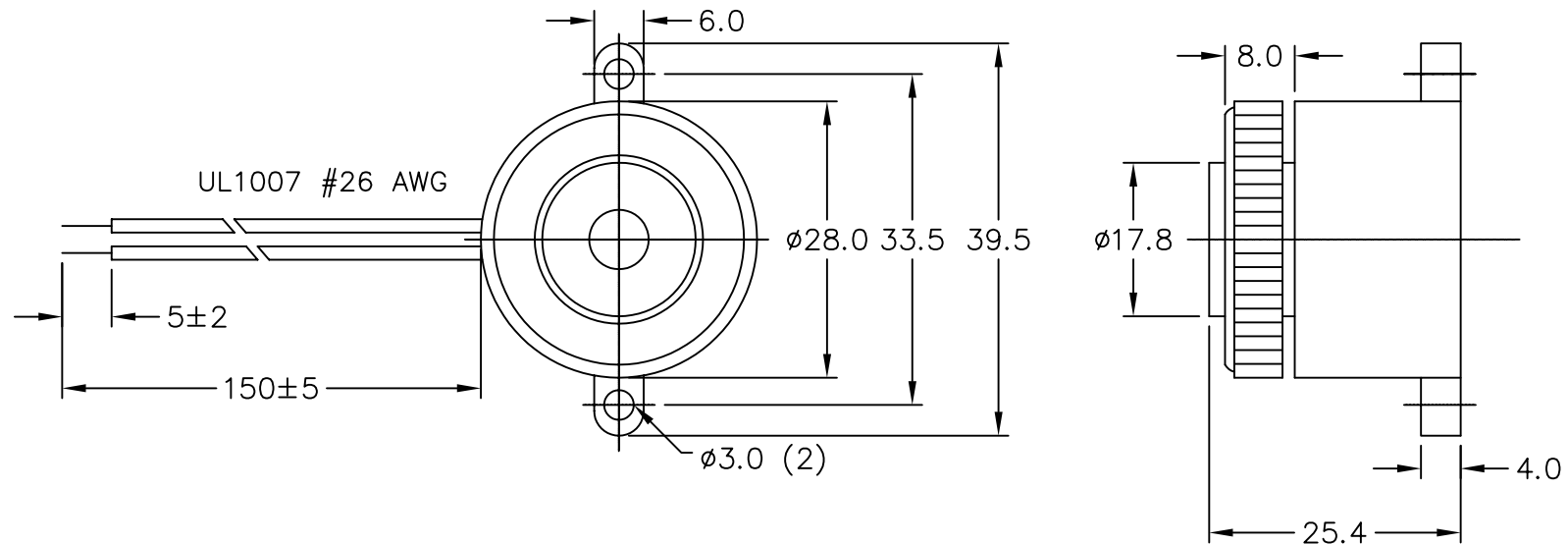
THIS DOCUMENT CONTAINS DATA PROPRIETARY TO PROJECTS UNLIMITED, INC. ANY USE OR REPRODUCTION, IN ANY FORM, WITHOUT PRIOR WRITTEN PERMISSION OF PROJECTS UNLIMITED, INC. IS PROHIBITED.
© 2003, Projects Unlimited Inc.

SPECIFICATIONS

PARAMETERS	VALUES	UNITS
RATED VOLTAGE	12	Vdc
OPERATING VOLTAGE RANGE	3 ~ 28	Vdc
RATED CURRENT (MAX)	6	mA
MINIMUM SPL @ 10 cm.	95	dBA
RESONANT FREQUENCY	3,500±500	Hz
tone OR PULSE RATE	CONTINUOUS	0 PULSE PER SECOND
OPERATING TEMPERATURE	-30 ~ +85	°C
STORAGE TEMPERATURE	-40 ~ +95	°C
HOUSING MATERIAL	ABS	-
TERMINAL MATERIAL	LEAD WIRE	-
WEIGHT	15	grams

REVISIONS

LTR	DESCRIPTION	DATE	APPROVED
-	RELEASED FROM ENGINEERING	8/05/05	



NOTES:

1. ALL DIMENSIONS ARE IN MILLIMETERS.
2. SPECIFICATION SUBJECT TO CHANGE OR WITHDRAWAL WITHOUT NOTICE.
3. WIRE COLOR CODE: RED (+), BLACK (-).
4. THIS PART IS RoHS 2002/95/EC COMPLIANT.

FILE NAME
XL-2835-TF-LW150-R.DWG

UNLESS OTHERWISE SPECIFIED:
DIMENSIONS ARE IN
MILLIMETERS, TOLERANCES ARE ±0.5 AND
ANGLES ARE ±3°.

APPROVALS	DATE
DRAWN <i>J.A.F.</i>	8/05
APPROVED <i>E.P.</i>	8/05
<i>B.R.</i>	8/05

DO NOT SCALE DRAWING



Dayton, Ohio

AUDIO INDICATOR

SIZE **A** DRAWING NO.
XL-2835-TF-LW150-R

SCALE: N.T.S.

SHEET 1 OF 1